

Angle Rings and Caps

Suitable for insulating top and bottom coils. If it is placed in parallel with the potential, it shortens insulation distance of the coils.

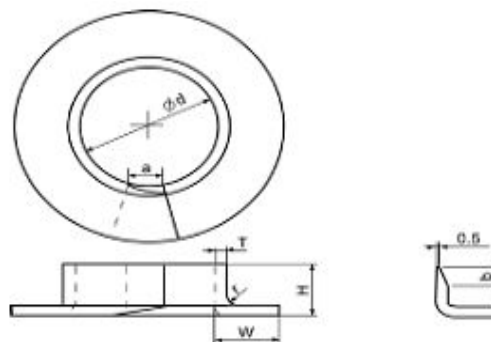
Wet molding process by hands.

Tolerances

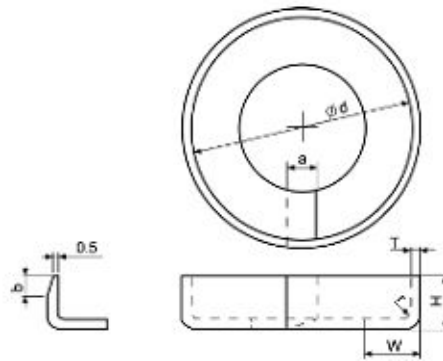
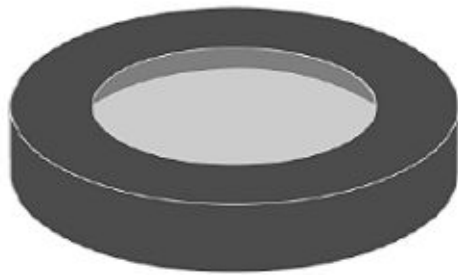
$t \leq 6$; overlapping width is about $20t+50$, tolerance ± 10

List of Angle Rings Molds & Dimensions

ϕd	ϕD	W	H	r	ϕd	ϕD	W	H	r	ϕd	ϕD	W	H	r
52	340	170	340	23.5	159	430	75	150	7.5	223	640	120	240	13.5
63	280	105	210	9	163	500	135	270	8.5	230	500	100	200	11.5
82	400	150	300	22.5	164	460	148	295	13	250	800	335	670	16
96	230	65	130	15	165	460	155	310	12.5	728	1150	135	270	23.5
98	270	125	250	18.5	168	410	130	260	8	742	1300	228	455	53.5
108	540	78	156	13.5	172	400	68	135	10	742	1300	228	455	53.5
114	400	150	300	16.5	173	450	138	275	8.5	742	1230	315	630	53
128	430	125	250	8.2	173	490	83	165	7.5	748	1150	135	270	23.5
128	430	125	250	8.5	178	370	110	220	8	891	1300	238	475	28
128	350	115	230	8.5	184	530	180	360	13	902	1500	160	320	68.5
133	440	160	320	8.5	184	400	75	150	10	1059	1400	170	340	13.5
138	390	125	250	8.5	188	590	153	305	13.5	1062	1600	125	250	28
138	320	123	245	8.5	200	420	63	125	R	1230	1780	130	260	14
143	400	160	320	8.5	217	640	120	240	13.5	1334	1700	170	340	13.5



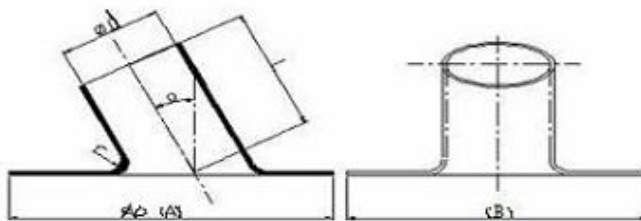
Angle Caps



List of Angle Caps Molds

ϕd	ϕD	W	H	r
1470	1820	175	250	9.5
1260	1845	292.5	250	9.5
1410	1850	220	250	9.5
1410	1872	231	250	9.5
1250	1890	320	250	9.5

Inclined Angle rings and cap



Bottom flange can be to circle or rectangular shaped

Molds List

ϕd	ϕD	H	r	a
852	1200	700	73.5	67.3
814	1450	940	47.5	57